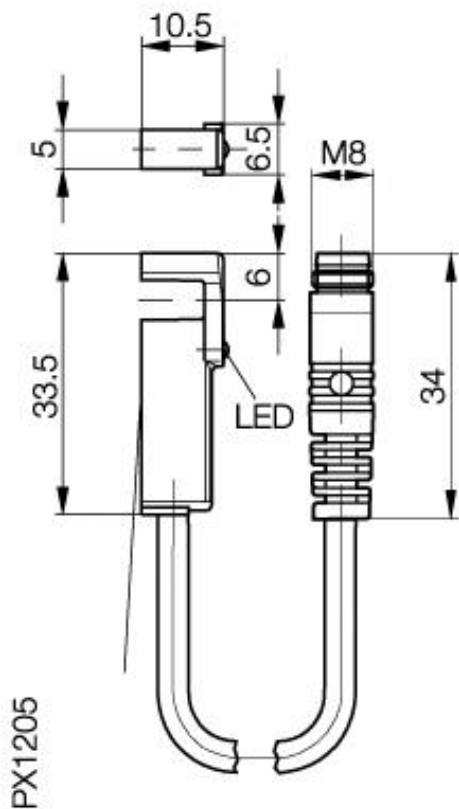


Magnetic Field Sensors
BMF 305K-R-PS-F-3-S49-00,2
33,5x10,5x6,5



Common Data

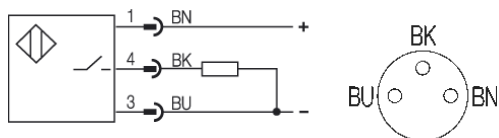
Function indication	yes
Ambient temperature range	-25...+70°C
Particular characteristics	Reed-Switch

Mechanical Data

Measurements BxHxT oder DxT	33,5x10,5x6,5mm
Housing material	LCP
Material of sensing face	PU
Degree of protection	IP65IP
Connection	Cable with Connector S49
Cable type	PVC

Electrical Data

Current type	DC
Wiring	3-Wire
switching function	normally-open
Output signal	PNP
Rated operational voltage	24 DCV
Rated operational current	500mA
Supply voltage	6...240V AC/DCV
Maximum operational current	500mA
Switch-On-Delay	0,7ms
Switch-Off-Delay	0,2ms
Short circuit protection	no
Protected against polarity reversal	no



Datasheet number:

Definitions see general catalog.
 If not otherwise noted, ratings according to
 IEC 60947-5-2 (DIN EN60947-5-2)

Balluff GmbH
 Schurwaldstrasse 9
 73765 Neuhausen a.d.F.
 Phone (07158) 173-0 Fax (07158) 5010

Datenblatt by CD-ROM - 04/2007

BALLUFF
 sensors worldwide